

Decking

DECKING BOARDS

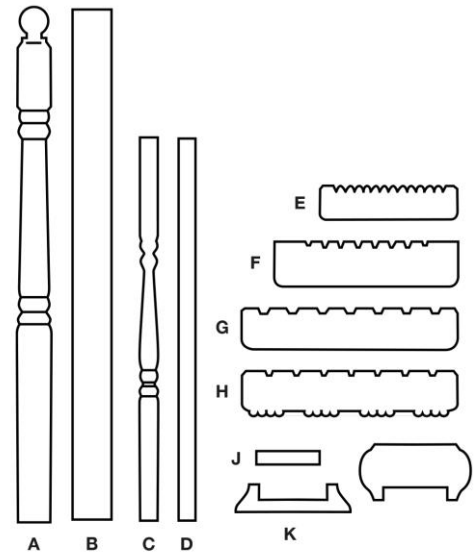
| | | |
|--------------|------------------|-------|
| 32mm x 100mm | E: To order only | £2.10 |
| 32mm x 125mm | F: To order only | £2.40 |
| 32mm x 150mm | H | £2.50 |
| 38mm x 125mm | G: To order only | £2.50 |
| 38mm x 150mm | H: To order only | £2.75 |

SPINDLES AND POSTS

| | | |
|------------------------------|---|-----------------|
| 89mm x 89mm turned post | A | £14.50 each |
| 89mm x 89mm eased edged post | B | £9.50 per metre |
| 41mm Turned Spindle | C | £2.95 each |
| 38mm Square Spindle | D | £1.75 |

HAILRAIL AND INFILLS

| | | |
|--------------------|---|-----------------|
| 50mm x 75mm Rail | L | £3.00 per metre |
| 12mm x 38mm Infill | J | £0.75 per metre |
| 38mm x 75mm Rail | K | £3.50 per metre |



Decking prices are sold in the lengths in stock so please check availability. This is only a sample of what we can offer.

Terms and Conditions

DELIVERY

There will be a delivery charge of £10.00 on all orders. This may be waived or changed at the sales person's discretion. All orders are front door delivery only unless prearranged with the sales person taking your order. If in doubt please check.

TIMBER SIZES

All timber sizes are nominal unless otherwise stated.

CLAIMS

The number of bundles and boards and their condition should be checked on arrival. Claims for shortages or damage in transit **MUST BE MADE AT THE SAME TIME OF**

DELIVERY

Claims not applying to shortages or damage in transit will be given consideration providing they are made **WITHIN THREE DAYS OF DELIVERY**.

CANCELLATIONS

Orders cancelled after loading or dispatch will be liable to a re-handling charge of 30% of the order value (minimum £30). This also applies to goods incorrectly ordered, not required or returned without prior consultation. For any specials, we will require the full sale price.

CREDITS

Bona fide claims will be dealt with within 24 hours of notification by way of credit note, unless goods require inspection, in which case our representative will call within five working days.

DELIVERIES

We reserve the right to make delivery by instalments and render a separate invoice for each such instalment. If we exercise our right to make such a delivery, any delay in delivering or failure to deliver further instalments shall not entitle you to reject the contract or delivery of any other instalments, or to withhold payment in respect of any instalment previously delivered.

LENGTHS

Please give us as much option on length as you can. Minimum and maximum lengths are essential. If a specific length can only be produced by cutting to waste, the full length will be charged.

LIABILITY

Goods are not tested as fit for any particular purpose. We shall not be liable for any warp, shrinkage, splitting, waste or any other movement caused by temperature, humidity or any other condition. In no circumstances whatsoever shall our company's liability to our customer arising under, out of or in connection with the goods supplied, exceed the invoice price of the particular piece(s) in regard to which a complaint is found to be valid.

TITLE TO GOODS

The ownership of all goods remains with Paterns Network UK Limited until full payment has been made. The company reserves the right to repossess goods not paid for. The risk in the goods passes to you on delivery.

TAKING CARE OF YOUR NEW TIMBER PRODUCTS

As timber is a natural material it is important that during dry weather, and in particular the first year after installation or during storage, that the panels are wetted down regularly as with a newly planted tree or shrub.

Treat your panels annually with one of the popular treatments we recommend or any similar water-based preservative.

Panels are delivered already dipped and treated. However, if you need to retreat to colour match, both sides of the panel must be treated as warping can occur due to the uneven application of treatment.

Large timbers such as posts will crack or split, this unavoidable.

It is impossible for us to guarantee our products against the movement of wood as this is a natural reaction to moisture loss and is obviously out of our control. We do however, endeavour to maintain the highest standards in the construction of our fencing, gates and timber buildings and trust that they will give you long and continued good service.