

## Decking

### DECKING BOARDS

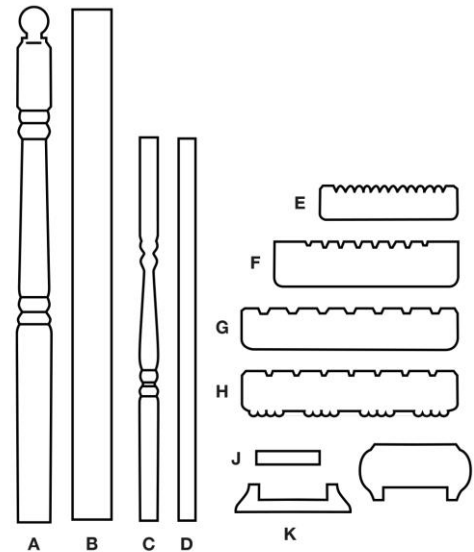
32mm x 100mm	E: To order only	£2.10
32mm x 125mm	F: To order only	£2.40
32mm x 150mm	H	£2.50
38mm x 125mm	G: To order only	£2.50
38mm x 150mm	H: To order only	£2.75

### SPINDLES AND POSTS

89mm x 89mm turned post	A	£14.50 each
89mm x 89mm eased edged post	B	£9.50 per metre
41mm Turned Spindle	C	£2.95 each
38mm Square Spindle	D	£1.75

### HAILRAIL AND INFILLS

50mm x 75mm Rail	L	£3.00 per metre
12mm x 38mm Infill	J	£0.75 per metre
38mm x 75mm Rail	K	£3.50 per metre



Decking prices are sold in the lengths in stock so please check availability. This is only a sample of what we can offer.

## Terms and Conditions

---

### DELIVERY

There will be a delivery charge of £10.00 on all orders under the value of £100. This may be waived or changed at the Company's discretion. All orders are front door delivery only unless prearranged with the sales person taking your order. If in doubt please check.

### TIMBER SIZES

All timber sizes are nominal unless otherwise stated.

### CLAIMS

The number of bundles and boards and their condition should be checked on arrival. Claims for shortages or damage in transit should be made on the same day.

### DELIVERY

Claims not applying to shortages or damage in transit will be given consideration providing they are made within 48 hours of delivery.

### CANCELLATIONS

Orders cancelled after loading or dispatch will be liable to a re-handling charge of 30% of the order value (minimum £30). This also applies to goods incorrectly ordered, not required or returned without prior consultation. For any specials, we will require the full sale price.

### REFUNDS AND CREDITS

Bona fide claims will be dealt within 24 hours of notification. Refunds will be provided in the form of credit notes, unless otherwise agreed with the Company. Refunds or credits will be provided within 5 working days.

### DELIVERIES

We reserve the right to make delivery by instalments and render a separate invoice for each such instalment. If we exercise our right to make such a delivery, any delay in delivering or failure to deliver further instalments shall not entitle you to reject the contract or delivery of any other instalments, or to withhold payment in respect of any instalment previously delivered.

### LENGTHS

We will cut lengths to the size requested by the customer. In order to create these bespoke sizes, we normally will be required to use a longer length of timber, leaving some waste. You will be charged in full for the nearest available length to your required size.

### LIABILITY

Goods are not tested as fit for any particular purpose. We shall not be liable for any warp, shrinkage, splitting, waste or any other movement caused by temperature, humidity or any other condition. In no circumstances whatsoever shall our company's liability to our customer arising under, out of, or in connection with the goods supplied, exceed the invoice price of the particular piece(s) in regard to which a complaint is found to be valid.

### TITLE TO GOODS

The ownership of all goods remains with Pat'erns Network UK Limited until full payment has been made. The company reserves the right to repossess goods not paid for. The risk in the goods passes to you on delivery.

### TAKING CARE OF YOUR NEW TIMBER PRODUCTS

As timber is a natural material it is important that during dry weather, and in particular the first year after installation or during storage, that the panels are wetted down regularly as with a newly planted tree or shrub.

Treat your panels annually with one of the popular treatments we recommend or any similar water-based preservative.

Panels are pressure treated. However, if you need to re-treat your panel to colour match, both sides of the panel must be treated (as warping can occur due to the uneven application of treatment). Large timbers such as posts will crack or split. This is unavoidable.

It is impossible for us to guarantee our products against the movement of wood as this is a natural reaction to moisture loss and is out of our control. However, we do endeavour to maintain the highest standards in the construction of our fencing, gates and timber buildings and trust that they will give you long and continued good service.